

# IA-3304-U

4-ch SPST Relays  
4-ch Isolated Digital Inputs  
USB Powered & controlled

**IA Intelligent Appliance**  
For Smart Solutions...



## Introduction

The IA-3304-U is one of the industrial IA-33XX Tiny modules series by Intelligent Appliance. This module features 4 opto-isolated Digital Inputs, which can be used as non-isolated inputs as well, 4 SPST Relays output and dry contact input. Each 2 relays share one common line in order to make the wiring process simpler.

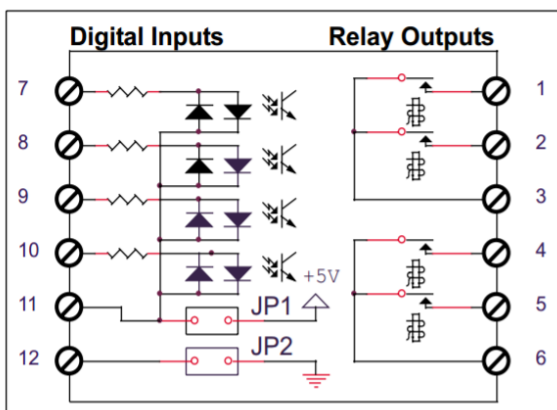
The IA-3304-U Baud Rate range is 1200 to 230400 bps, and can be easily set through a software command.

Input type (Isolated or Non-Isolated), can be easily determined by an internal jumper.

The status of each Input and Output is locally displayed and may be easily set by the supplied software.

The module is software compatible with the IA-series. The software support package includes DOT.net Library, Open Source software examples and Configuration and Operation utilities for fast software implementation.

## Wiring Diagram



## Features

- 4-ch Relay 2Amp @ 30VDC
- 4-ch Isolated Digital Input
- Dry-Contact Reading Inputs
- USB Powered and Controlled
- Easy Operated
- IA Series compatible
- DIN-Rail Mounted
- Auto Report
- Polling is not a must

## Specifications

### Relays

Channels	4
Contact current	2 Amp @ 30 VDC
Contact method	SPST
Relay ON time	5mS
Relay OFF time	5mS

### Digital Inputs

Channels	4
Voltage Range	5-24VDC
Isolation	Optic

### Communication

Baud Rate Range	1200 – 230400
Default Settings	19200, 8, n, 1
Connector	USB

### General

Supply Voltage	USB Powered
Operating temperature	0~60°C
Storage temperature	-30~80°C
Mounting	Din-Rail
Dimensions	110x52x20 mm
Weight	85 gr

## Ordering Information

<b>IA-3304-U</b>	4 Relays, 4 Digital Inputs, USB powered & Controlled Module. 1m USB cable included.
------------------	---